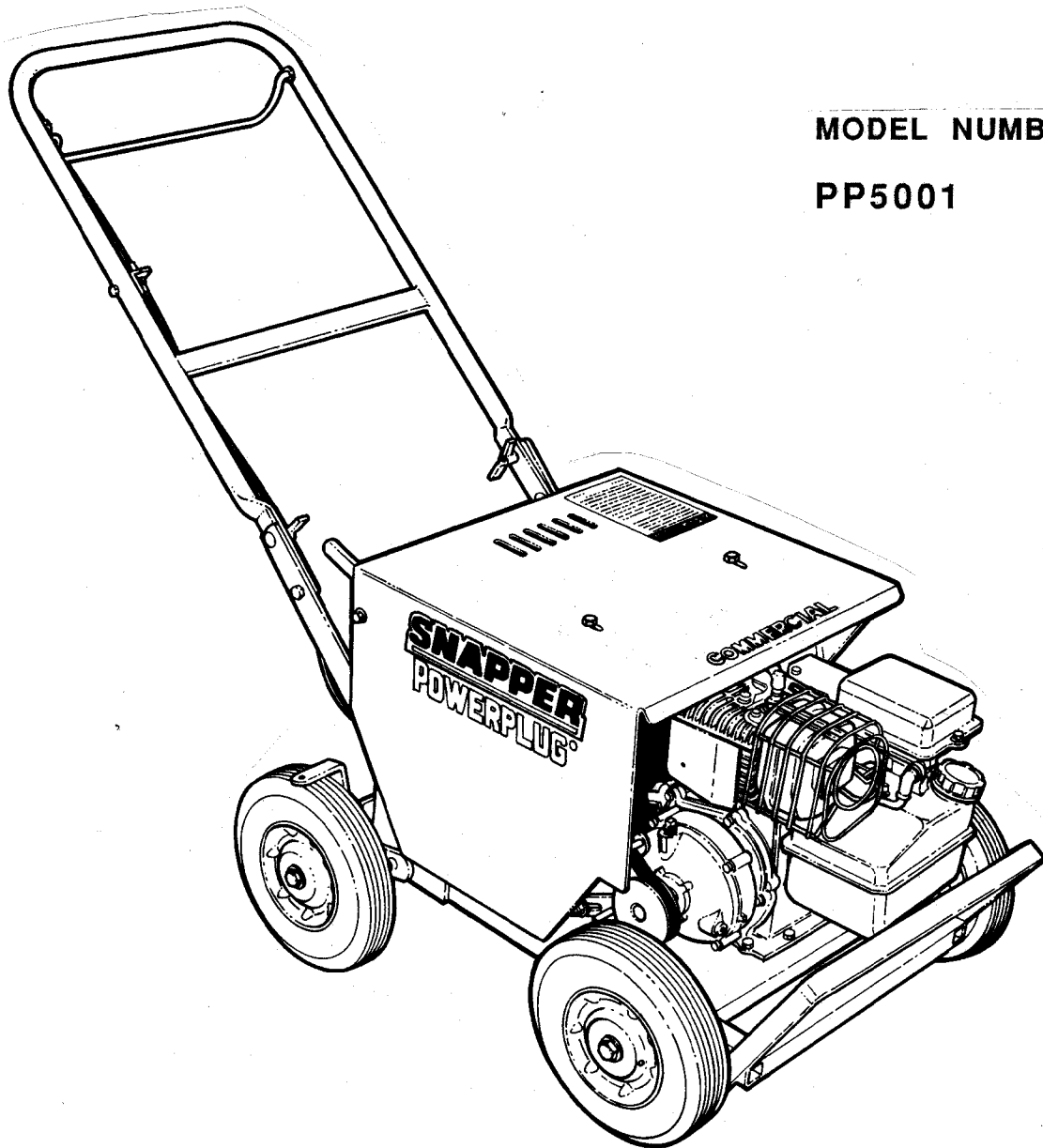


SNAPPER®

POWERPLUG

MODEL NUMBER

PP5001



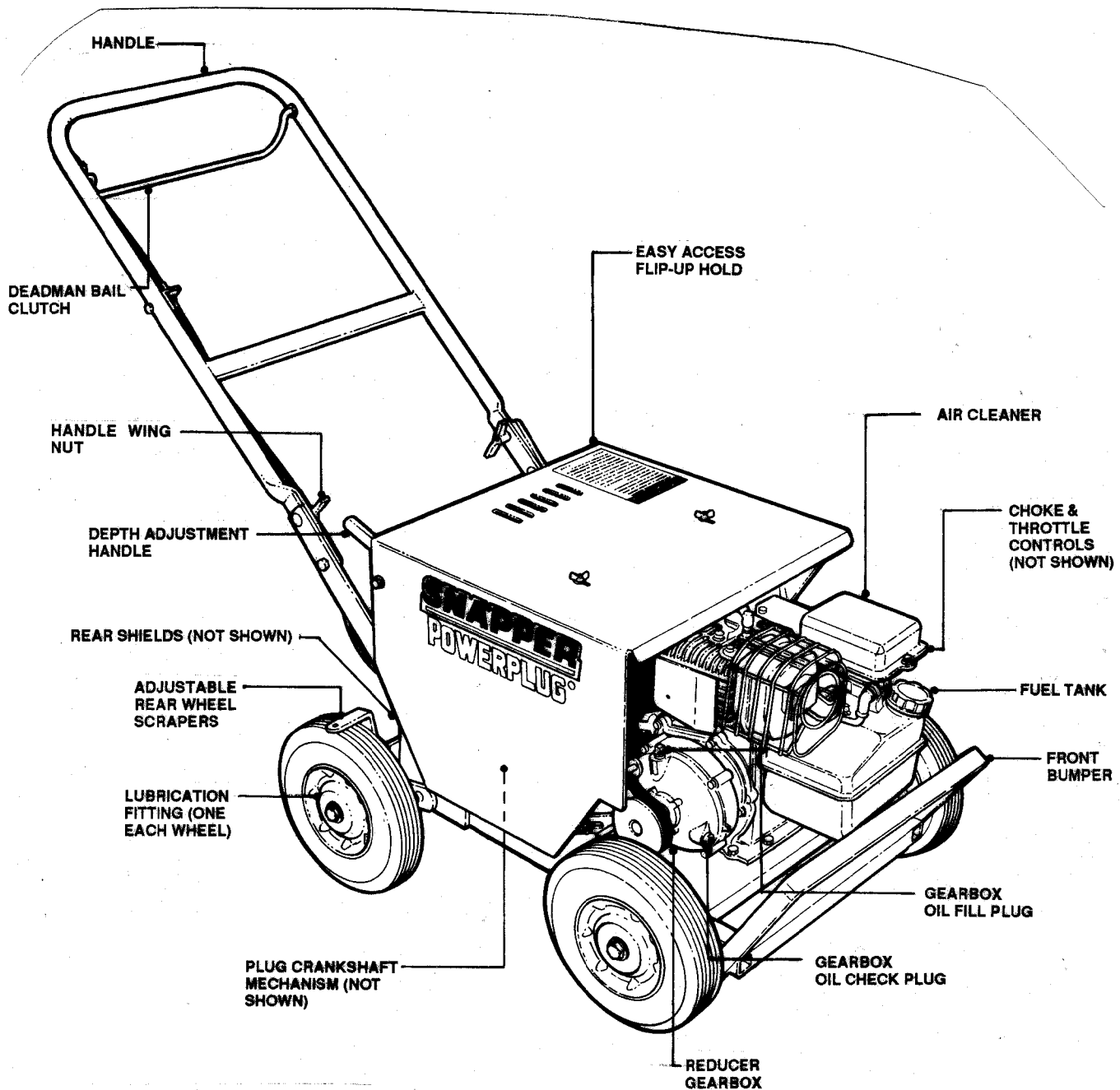
SNAPPER POWER EQUIPMENT

McDonough, Georgia 30253

A Division of Fuqua Industries



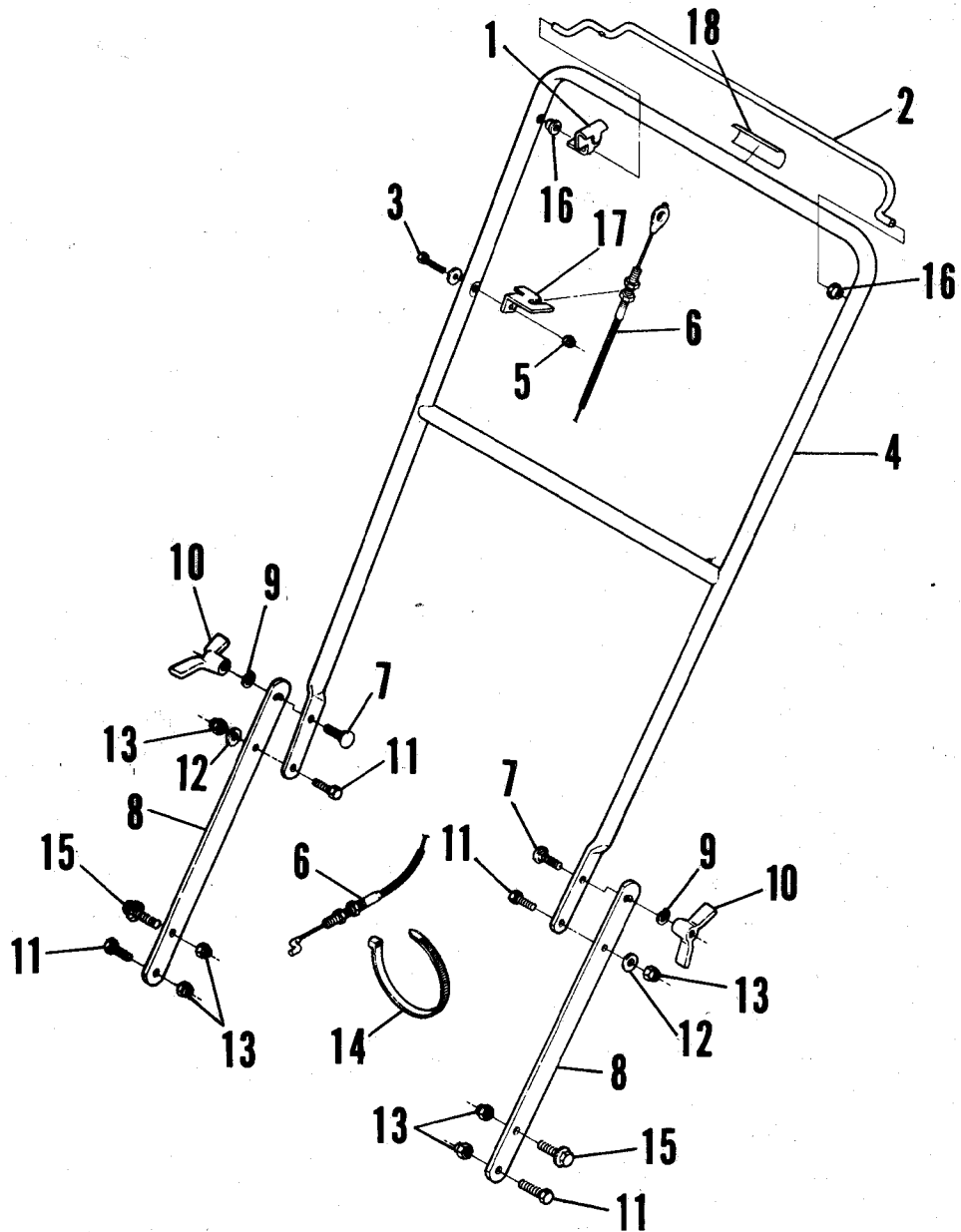
POWERPLUG



R.H. SIDE ILLUSTRATED

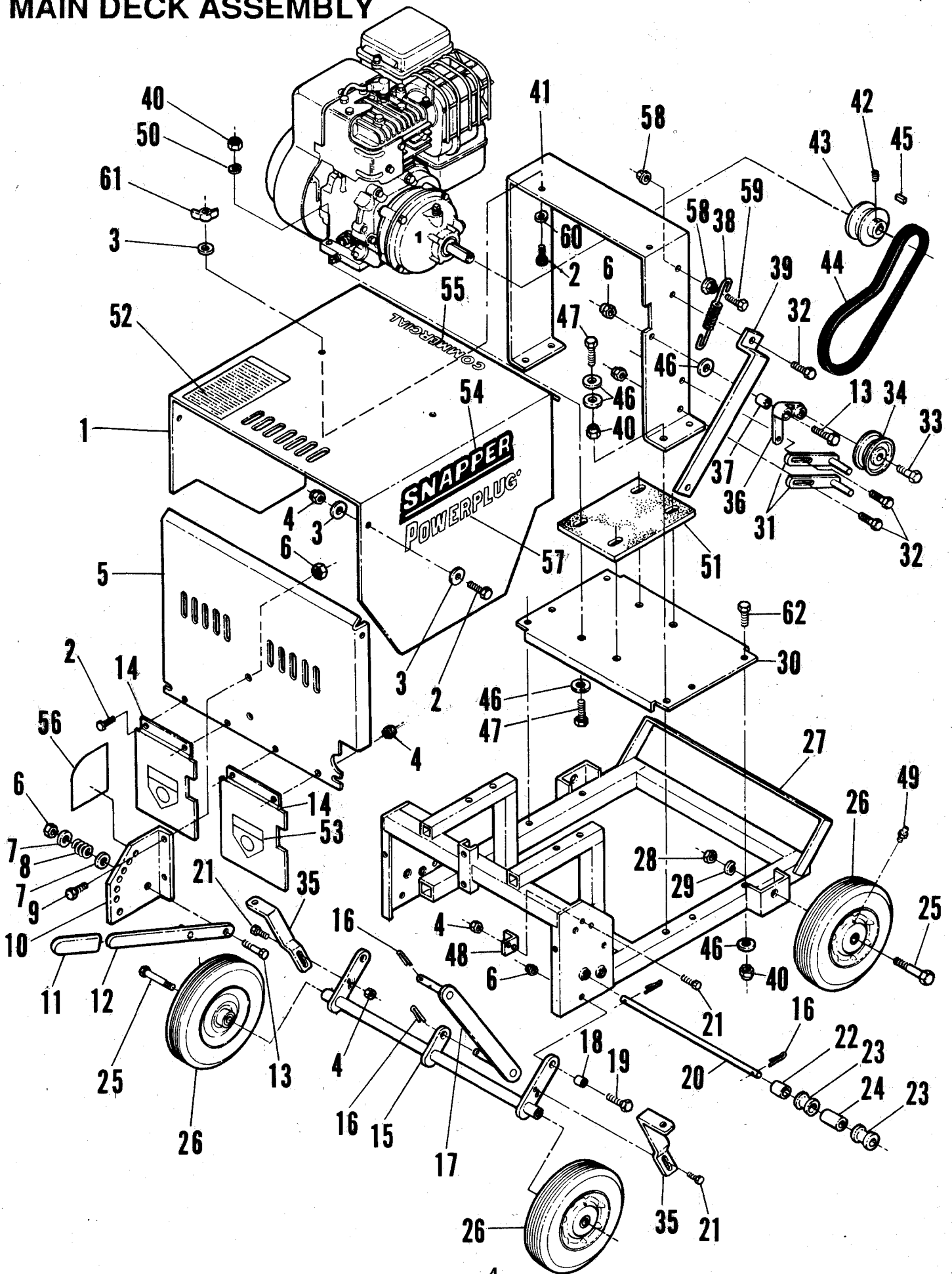
IT IS THE POLICY OF SNAPPER POWER EQUIPMENT TO IMPROVE ITS PRODUCTS WHENEVER IT IS POSSIBLE AND PRACTICAL TO DO SO. WE RESERVE THE RIGHT TO MAKE CHANGES OR ADD IMPROVEMENTS AT ANY TIME WITHOUT INCURRING ANY OBLIGATION TO MAKE SUCH CHANGES ON PRODUCTS MANUFACTURED PREVIOUSLY.

HANDLE ASSEMBLY



ITEM	PART NO.	DESCRIPTION
1	3-2593	BAIL CATCH (1)
2	1-9211	BAIL (1)
3	9-0639	CAPSCREW, 1/4" - 20 x 1 1/2" (1)
4	4-0602	UPPER HANDLE (1)
5	7-6978	NYLOC HEX. NUT, 1/4" - 20
6	2-3702	CLUTCH CABLE (1)
7	7-6962	CARRIAGE BOLT, 5/16" - 18 x 1" (2)
8	7-6759	LOWER HANDLE (2)
9	9-0187	LOCKWASHER, 5/16" (2)
10	7-6132	KNOB (2)
11	9-0563	CAPSCREW GR. 5, 3/8" - 16 x 1" Hex. Hd. (4)
12	9-0517	FLAT WASHER, 3/8" Std. (2)
13	7-6979	NYLOC HEX. NUT, 3/8" - 16 (6)
14	7-6856	PLASTIC TIE, 1/8" - 6" (2)
15	7-6941	CAPSCREW GR. 5, 3/8" - 16 x 1 1/4" Hex. Hd. (2)
16	1-5601	BUSHING (2)
17	3-2816	CABLE MOUNT (1)
18	2-3705	DECAL (1)

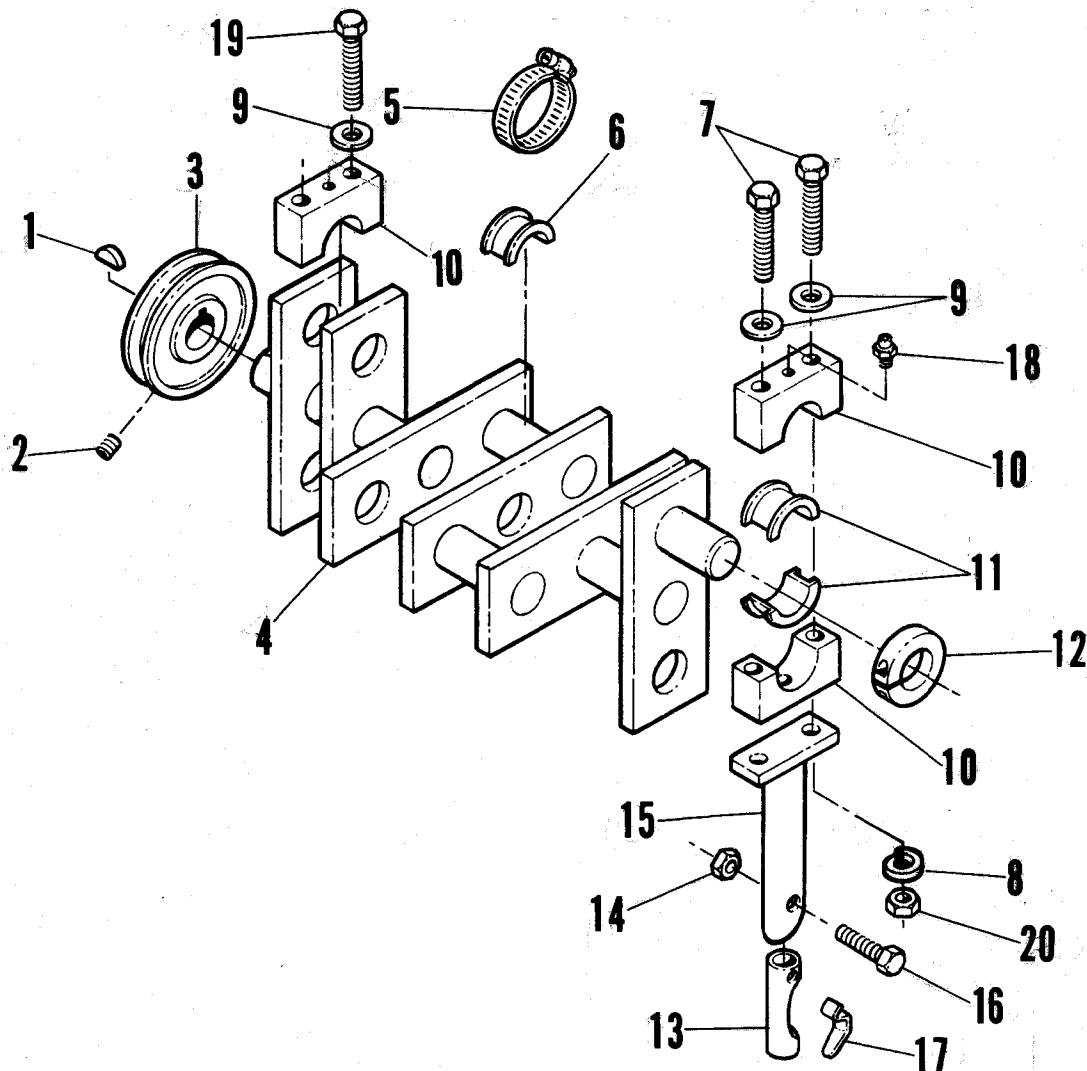
MAIN DECK ASSEMBLY



MAIN DECK ASSEMBLY

ITEM	PART NO.	DESCRIPTION
1	7-7386	HOOD W/DECALS (1)
2	9-0072	CAPSCREW, 1/4" - 20 x 5/8" Hex. Hd. (10)
3	9-0598	FLAT WASHER, 1/4" (6)
4	7-6978	NYLOC NUT, 1/4" - 20 Hex. (14)
5	7-6794	REAR GUARD (1)
6	7-6979	NYLOC NUT, 3/8" - 16 Hex. (6)
7	9-0517	FLAT WASHER, 3/8" Std. (2)
8	7-6438	COMPRESSION SPRING (1)
9	9-0563	CAPSCREW GR. 5, 3/8" - 16 x 1" Hex. Hd. (2)
10	7-7384	HEIGHT GAUGE W/DECAL (1)
11	7-6526	GRIP (1)
12	7-7385	ADJUSTMENT LEVER W/GRIP (76526) (1)
13	9-0588	CAPSCREW GR. 5, 3/8" - 16 x 2" Hex. Hd. (2)
14	7-7389	FLAP GUARD W/DECAL (2)
15	7-6744	REAR AXLE (1)
16	9-0365	COTTER PIN, 1/8" x 3/4" (4)
17	7-6749	HEIGHT ADJUSTMENT LINK (1)
18	7-6845	POWDERED METAL BUSHING (2)
19	7-6941	CAPSCREW GR.5, 3/8" - 16 x 1 1/4" Hex. Hd. (2)
20	7-6763	ROLLER ROD (2)
21	7-6932	CAPSCREW, 1/4" - 20 x 3/4" Hex. Hd. (6)
22	7-6766	SHORT SPACER (4)
23	7-6764	ROLLER (8)
24	7-6765	LARGE SPACER (6)
25	7-6945	CAPSCREW, 5/8" - 11 x 3 1/4" Hex. Hd. (4)
26	7-6064	10" WHEEL (4)
27	7-6743	FRAME (1)
28	9-0278	JAM NUT, 5/8" - 11 Hex.
29	9-0333	LOCK WASHER, 5/8"
30	7-6755	ENGINE PLATE (1)
31	7-6673	BELT GUIDE (2)
32	9-0206	CAPSCREW, 5/16" - 18 x 3/4" Hex. Hd. (3)
33	9-0730	CAPSCREW GR. 5, 3/8" - 16 x 1 3/4" Hex. Hd. (1)
34	7-6500	IDLER PULLEY (1)
35	7-6802	SCRAPER (2)
36	7-6781	IDLER ARM (1)
37	7-6453	POWDERED METAL BUSHING (1)
38	7-7250	SPRING (1)
39	7-6803	BRACE (1)
40	9-0717	NYLOC HEX. NUT, 5/16" - 18 (13)
41	7-6756	IDLER MOUNT SHROUD (1)
42	7-6956	NYLOC SETSCREW, 5/16" - 18 x 3/8" (1)
43	7-7387	DRIVE PULLEY W/SETSCREW (76956) (1)
44	7-6779	BELT (1)
45	1-0061	KEY, 3/16" x 3/16" x 1 (1)
46	9-0692	FLAT WASHER, 5/16" (11)
47	9-0669	CAPSCREW GR. 5, 5/16" - 18 x 1 3/4" (4)
48	7-6772	CABLE BRACKET (1)
49	7-6998	STRAIGHT ZERK, 1/4" - 28 (4)
50	9-0187	LOCKWASHER, 5/16" (4)
51	7-6070	ENGINE PAD (1)
52	7-7750	CAUTION DECAL (1)
53	1-3010	WARNING DECAL (1)
54	1-9249	SNAPPER DECAL (2)
55	7-6682	COMMERCIAL DECAL (1)
56	7-6799	DEPTH ADJ. DECAL (1)
57	7-6792	POWERPLUG DECAL (2)
58	9-0585	FLANGE NUT, 5/16" - 18 (2)
59	7-6935	CAPSCREW, 5/16" - 18 x 1 1/2" Hex. Hd. (1)
60	9-0052	LOCKWASHER, 1/4" (2)
61	9-0997	NYLON WINGNUT, 1/4" - 20 (2)
62	7-6938	CAPSCREW, 5/16" - 28 x 2 1/4" Hex. Hd. (6)

CRANKSHAFT ASSEMBLY



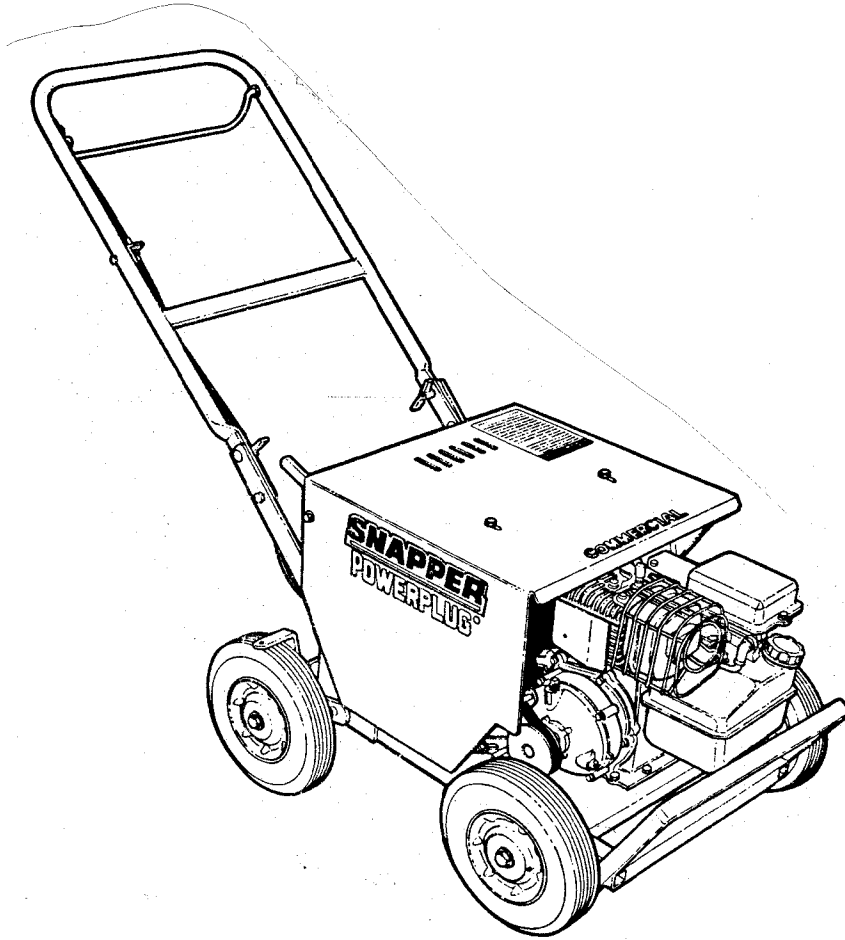
ITEM	PART NO.	DESCRIPTION
1	1-3857	WOODRUFF KEY, #807 (1)
2	7-6956	NYLOC SETSCREW, 5/16" - 18 x 3/8" (1)
3	7-7388	PULLEY W/SETSCREW (1)
4	7-6745	CRANKSHAFT (1)
5	7-6777	HOSE CLAMP (2)
6	7-6782	SHAFT SPACER (4)
7	7-6969	TAPBOLT GR. 5, 5/16" - 18 x 3 1/4" Hex. Hd. (8)
8	9-0187	LOCKWASHER, 5/16" (12)
9	9-0692	FLAT WASHER, 5/16" Std. (16)
10	7-6751	ENDCAP (12)
11	7-6807	BUSHING (12)
12	7-6752	CLAMP COLLAR (1)
13	7-6806	TINE (4)
14	7-6978	NYLOC HEX. NUT, 1/4" - 20 (4)
15	7-6746	CONNECTING ROD (4)
16	9-0639	CAPSCREW GR. 5, 1/4" - 20 x 1 1/2" Hex. Hd. (4)
17	7-6754	PLUG EJECTOR (4)
18	7-6998	ZERK (6)
19	7-6940	CAPSCREW GR. 5, 5/16" - 18 x 4 1/2" Hex. Hd. (4)
20	9-0717	NYLOC HEX. NUT, 5/16" - 18 (12)

NOTES

PARTS MANUAL FOR

SNAPPER

POWERPLUG
MODEL:
PP5001



SNAPPER POWER EQUIPMENT
McDonough, Georgia 30253
A Division of Fuqua Industries



MANUAL #06220 (IR 9/89) Printed in U.S.A.